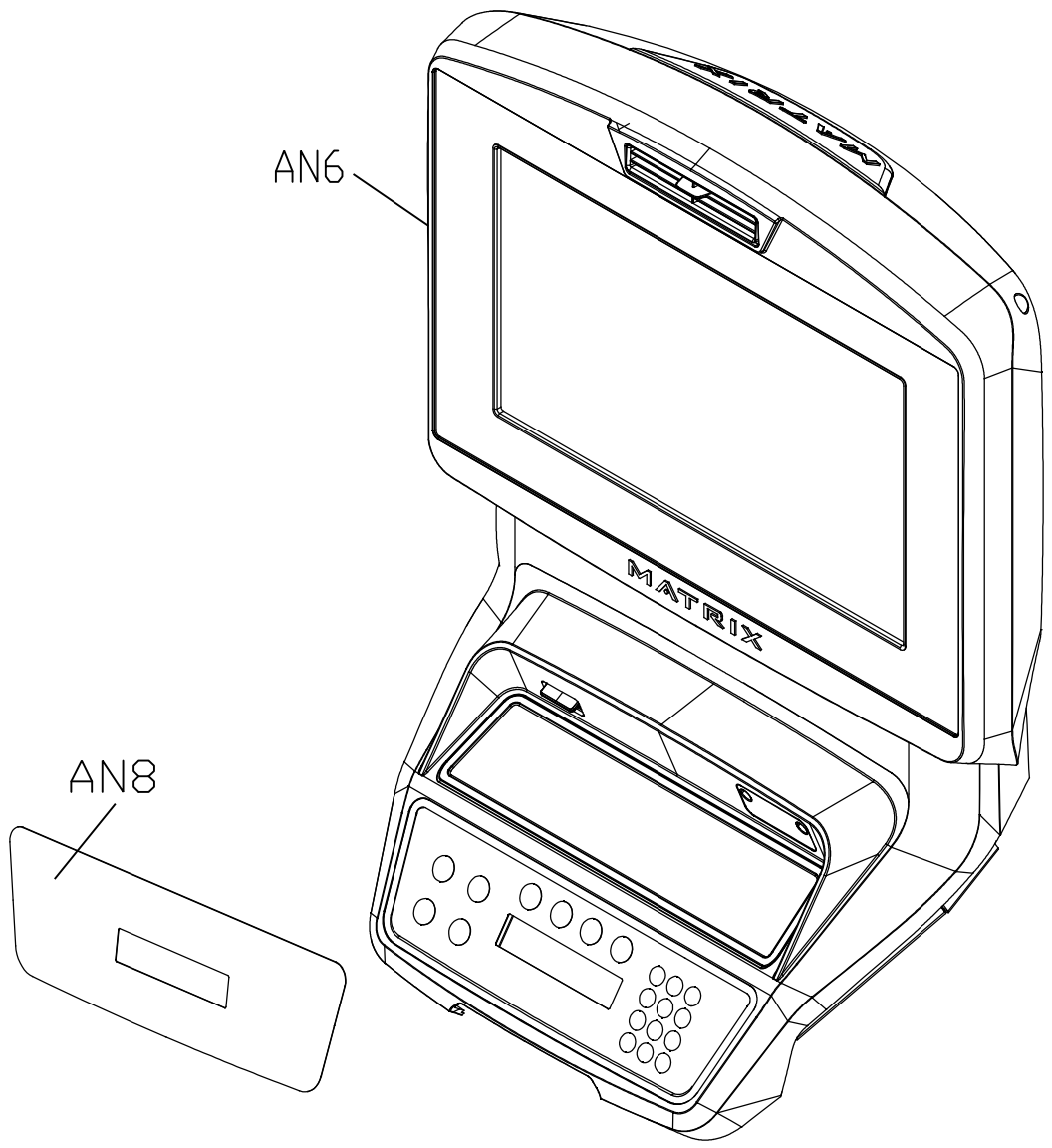


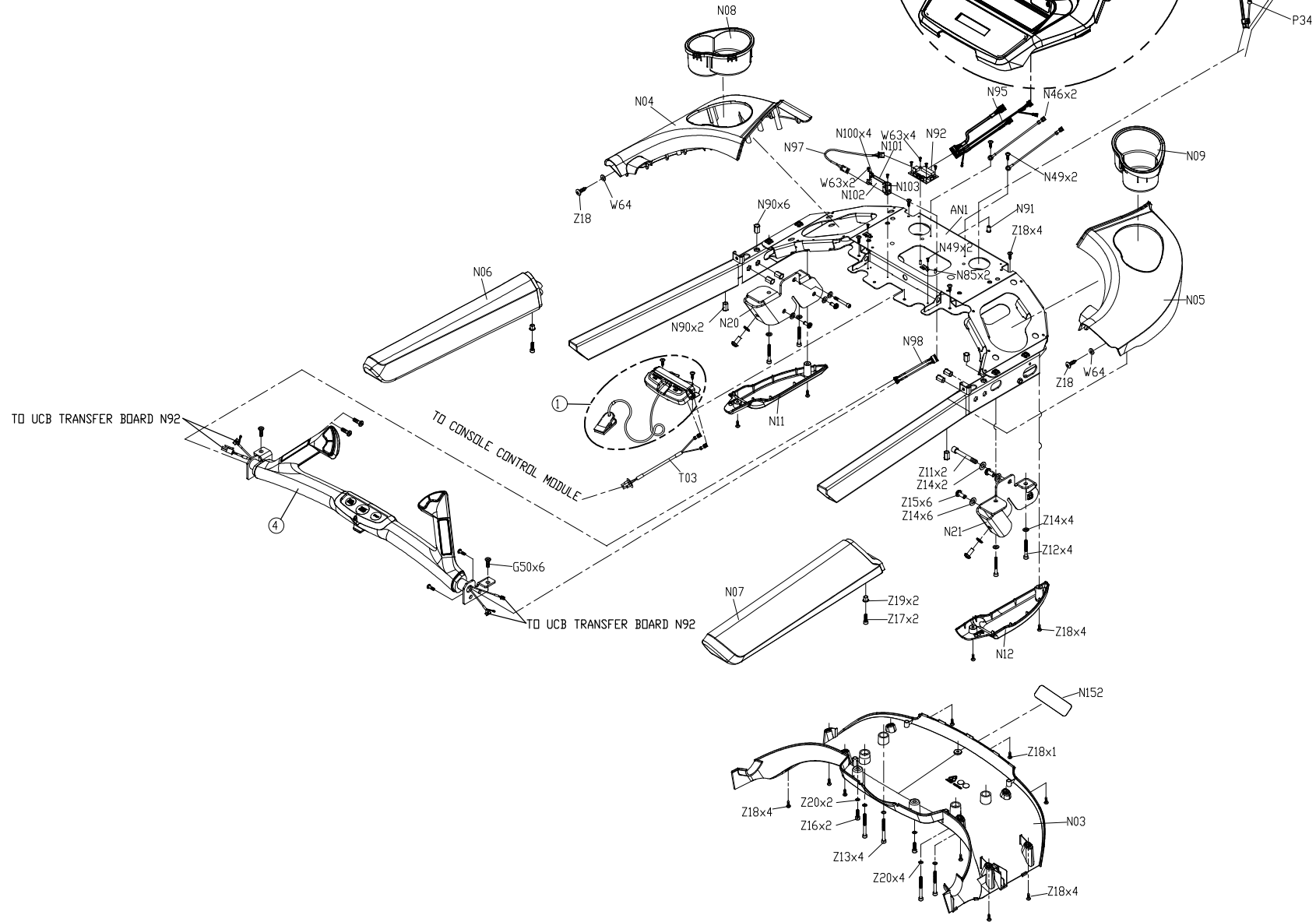
DRAWING NO	TM528G-AN26		
PART NAME	CONSOLE SET;Eng+Fr		
PART NO	1000440220	REV	A
APPROVE	Sunny	DATE	041219

1000439930	US5
------------	-----



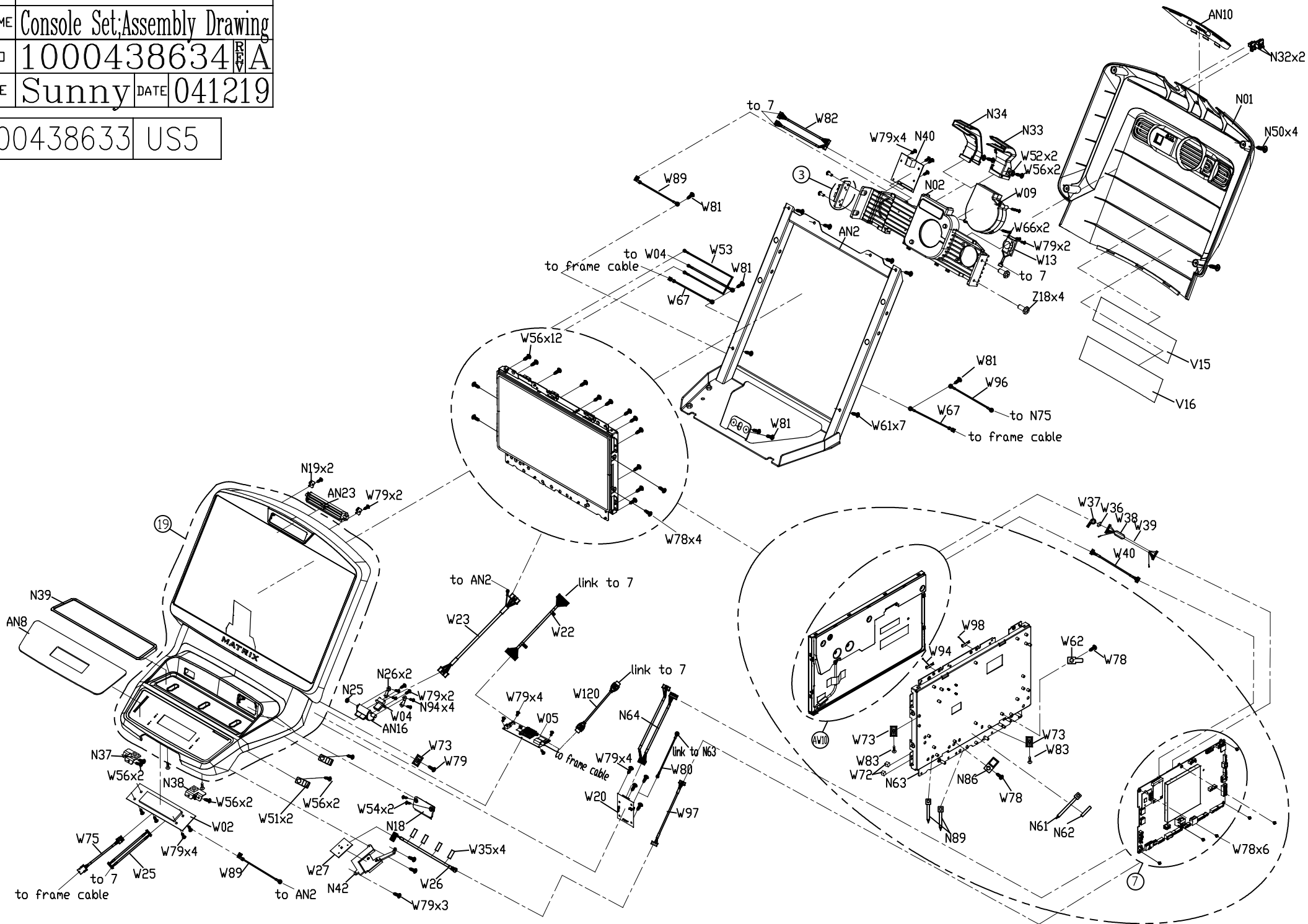
DRAWING NO.	TM528G-A04
PART NAME	Explosive Diagram
PART NO.	1000438629/A
APPROVE	Sunny
DATE	041219

SAP NO.	Model Name
MTM1187-00	T-7XIWRFG-03-C

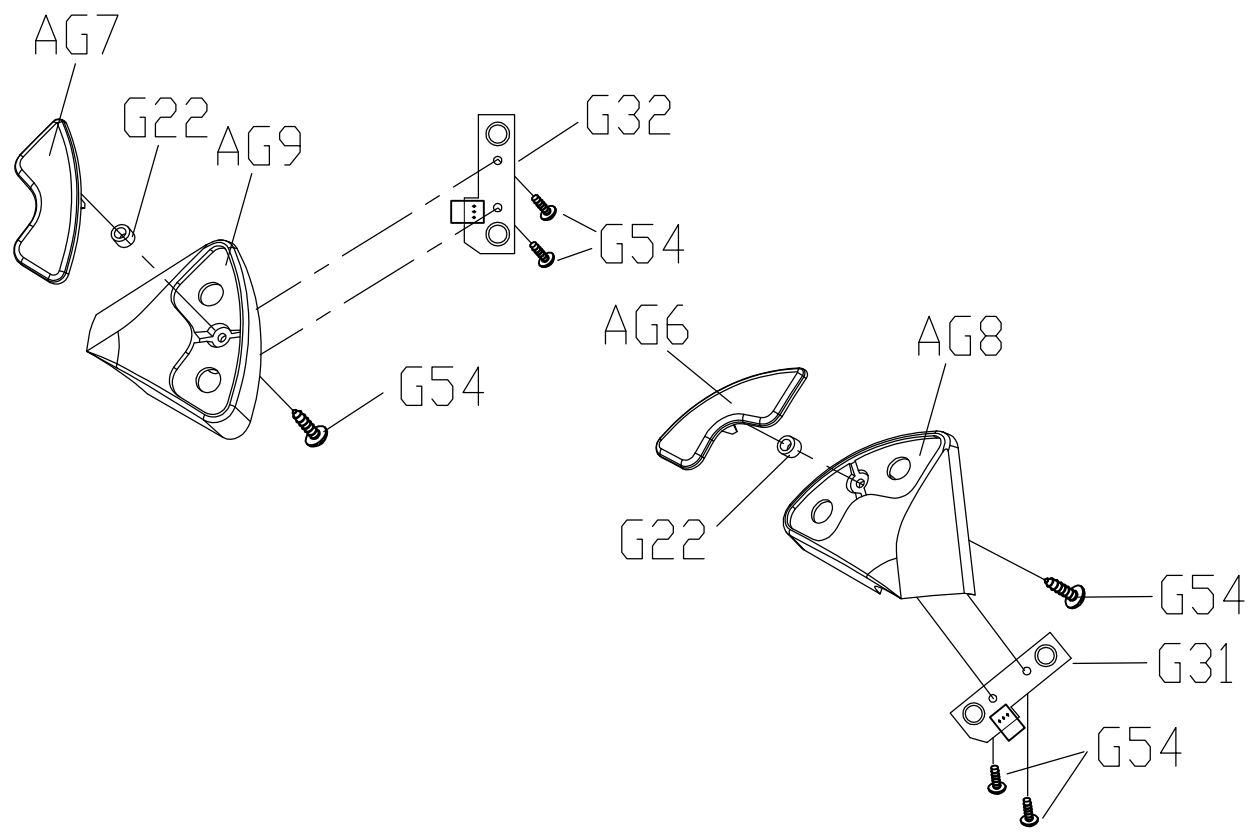


DRAWING NO	TM528G-AN23		
PART NAME	Console Set; Assembly Drawing		
PART NO	1000438634 ^{REV} A		
APPROVE	Sunny	DATE	041219

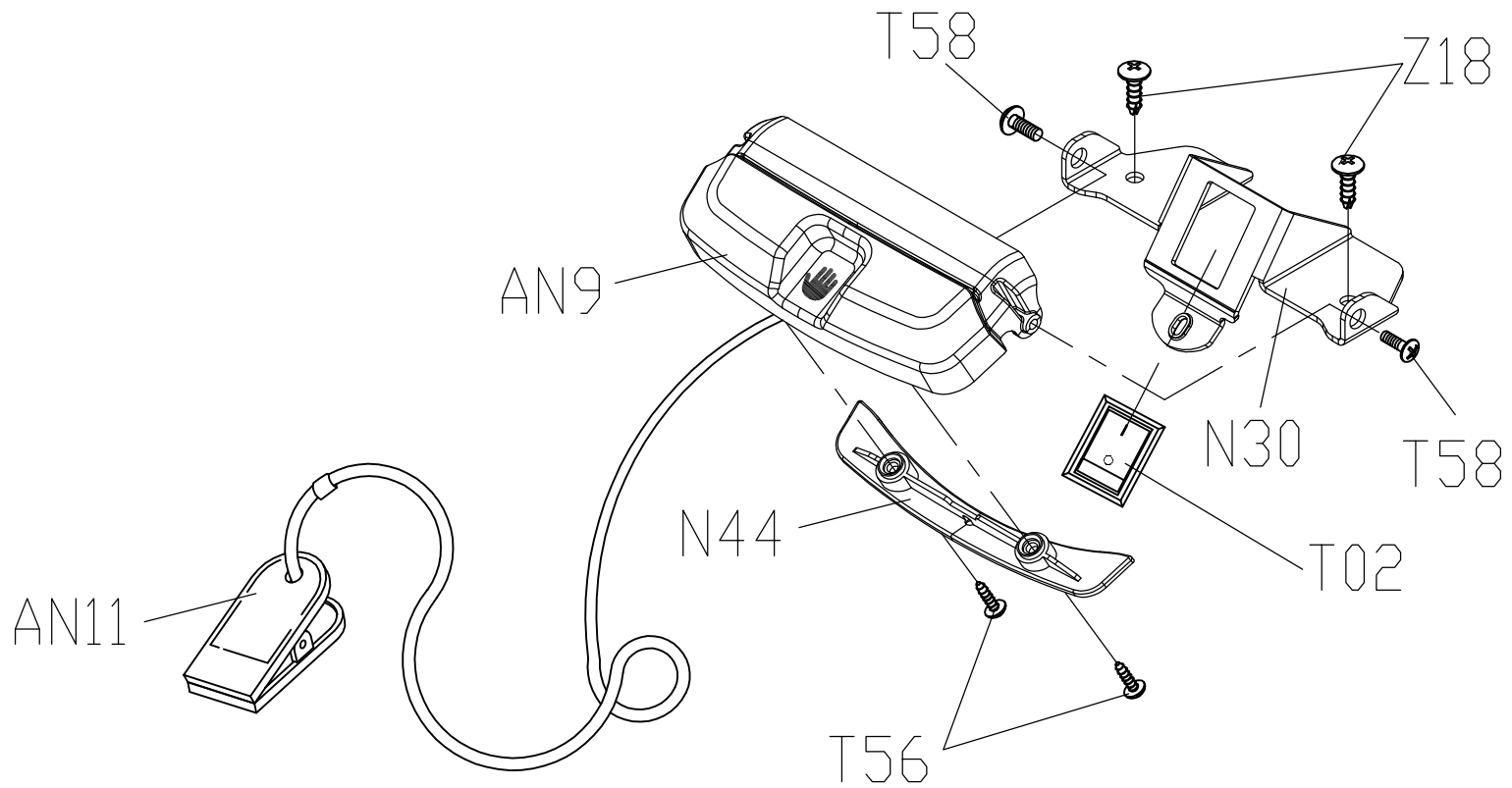
1000438633	US5
------------	-----



DRAWING NO	TM502-AG12		
PART NAME	Quick Key Set		
PART NO	0000089687		
APPROVE	SHUYI	DATE	101211



DRAWING NO	TM501-AT6		
PART NAME	SAFETY KEY SET		
PART NO	1000233602  B		
APPROVE	S.T.C	DATE	083112

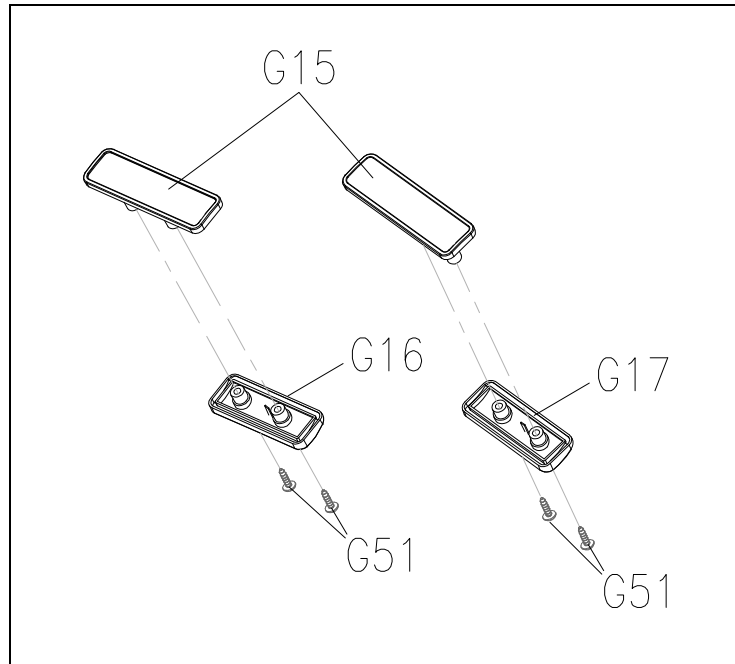




T7x-01-C

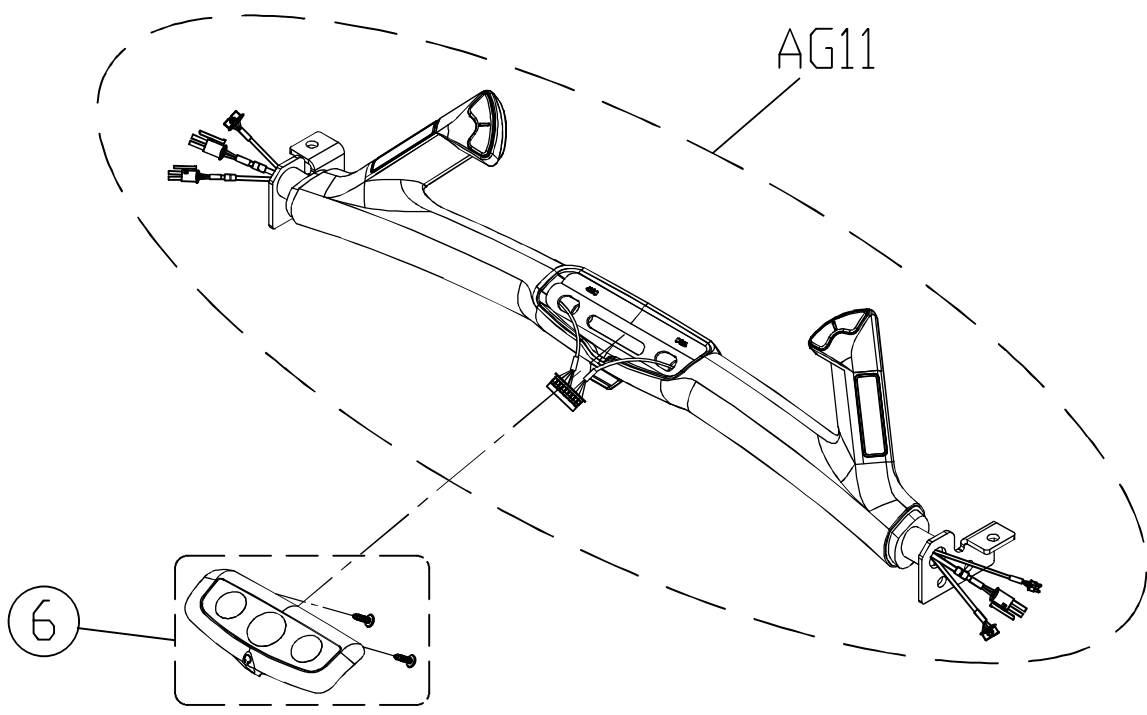
0000091816

HR GRIP COVER SET



Item No.	SAP Part NO	Description	QTY
G15	0000086068	COVER ; SENSOR ; UPPER	2
G16	0000086092	COVER ; SENSOR ; LEFT ;	1
G17	0000086271	COVER ; SENSOR ; RIGHT ;	1
G51	0000087858	SCREW ; PHILLIP ; ROUND ;	4

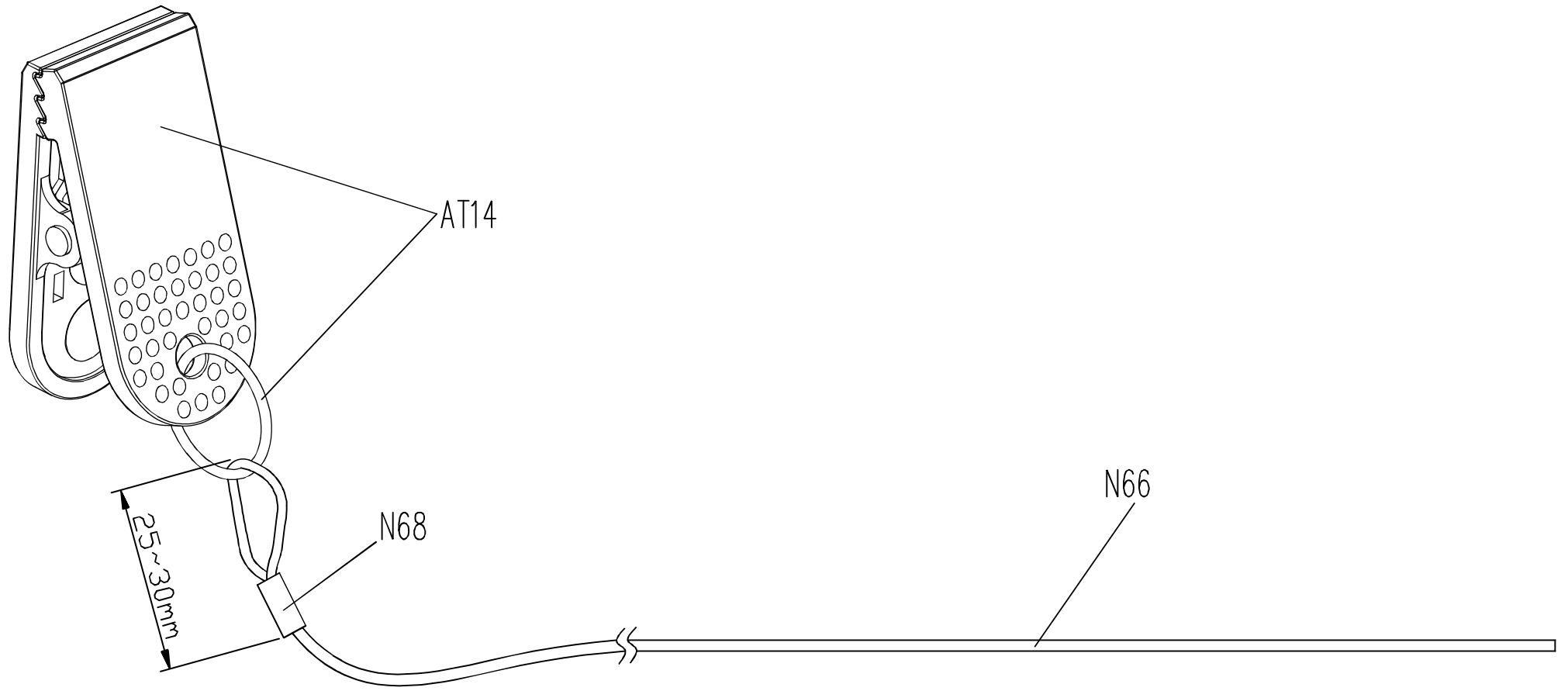
DRAWING NO	TM527-AG21		
PART NAME	Handlebar Set		
PART NO	As Attachment B		
APPROVE	SHUYI	DATE	052115



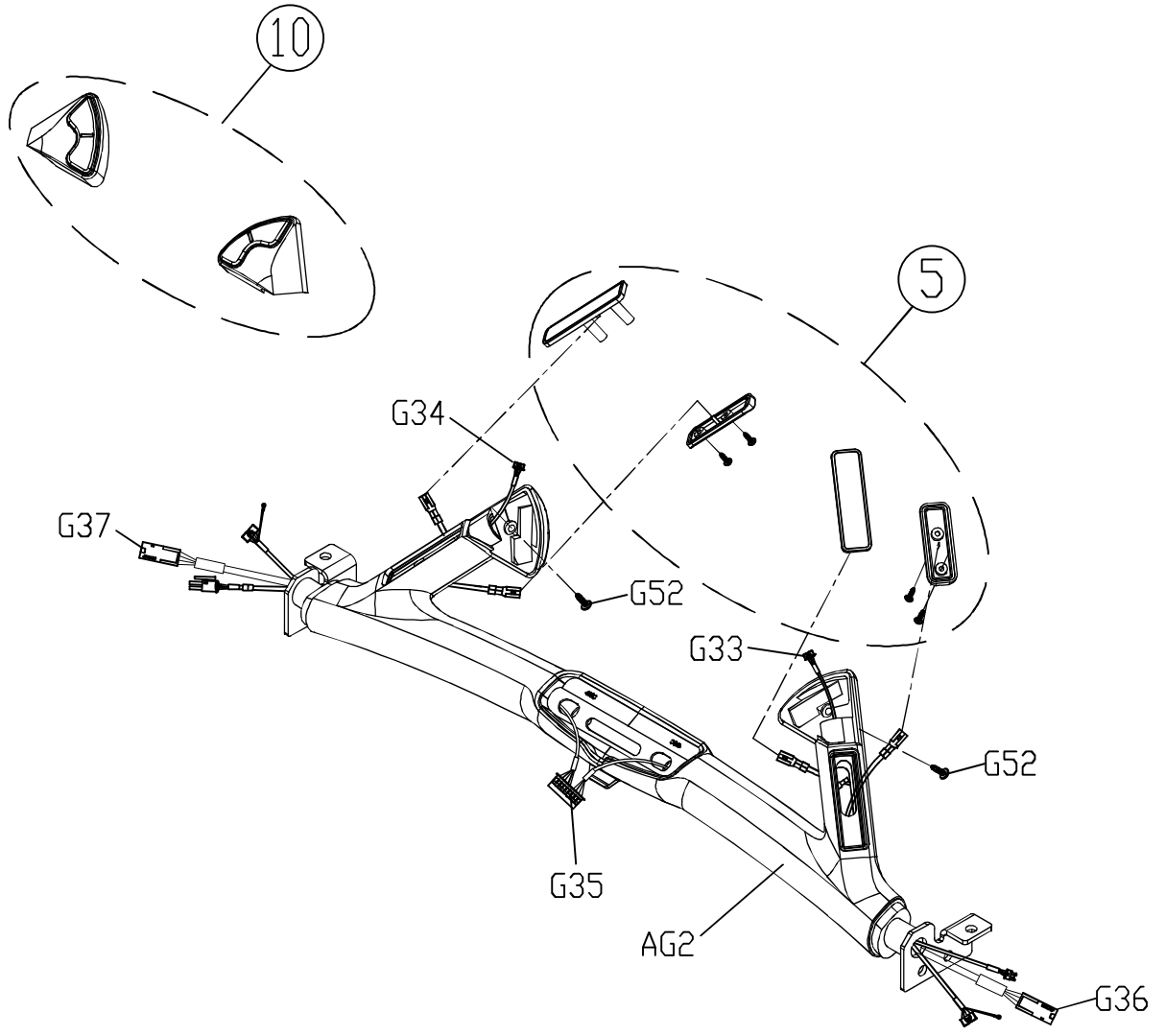
Part NO	Description
1000356217	Handlebar Set;English
1000361041	Handlebar Set;German
1000361043	Handlebar Set;Spanish
1000361045	Handlebar Set;Italian
1000361047	Handlebar Set;French
1000361050	Handlebar Set;Dutch
1000361052	Handlebar Set;Polish
1000361054	Handlebar Set;Portuguese
1000356360	Handlebar Set;Japan

DRAWING NO	TM501-AT13		
PART NAME	Safety Switch Set		
PART NO	1000352475  B		
APPROVE	JARVIS	DATE	100314

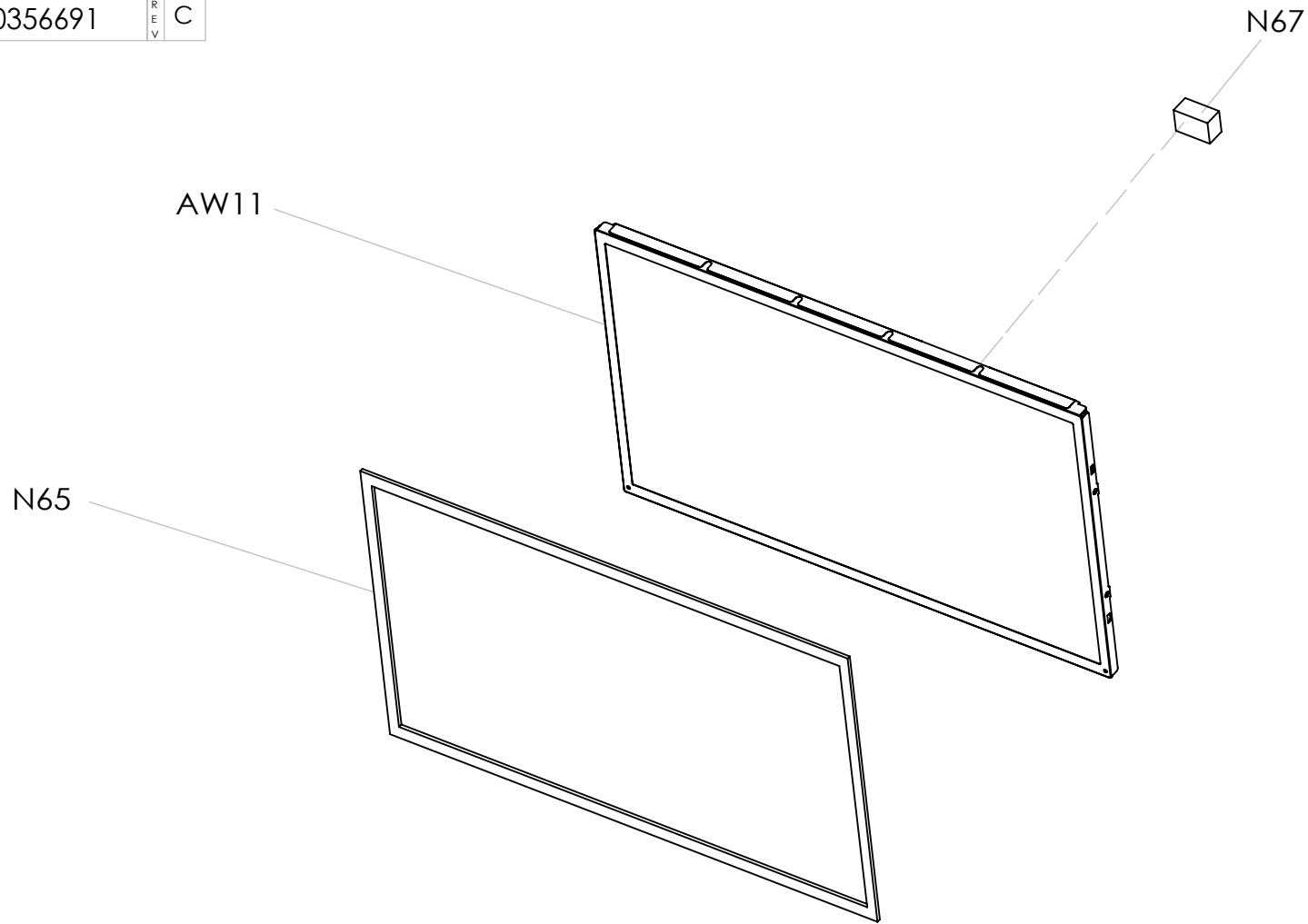
Note: Length of assembly(Chip/Key ring)860~870mm



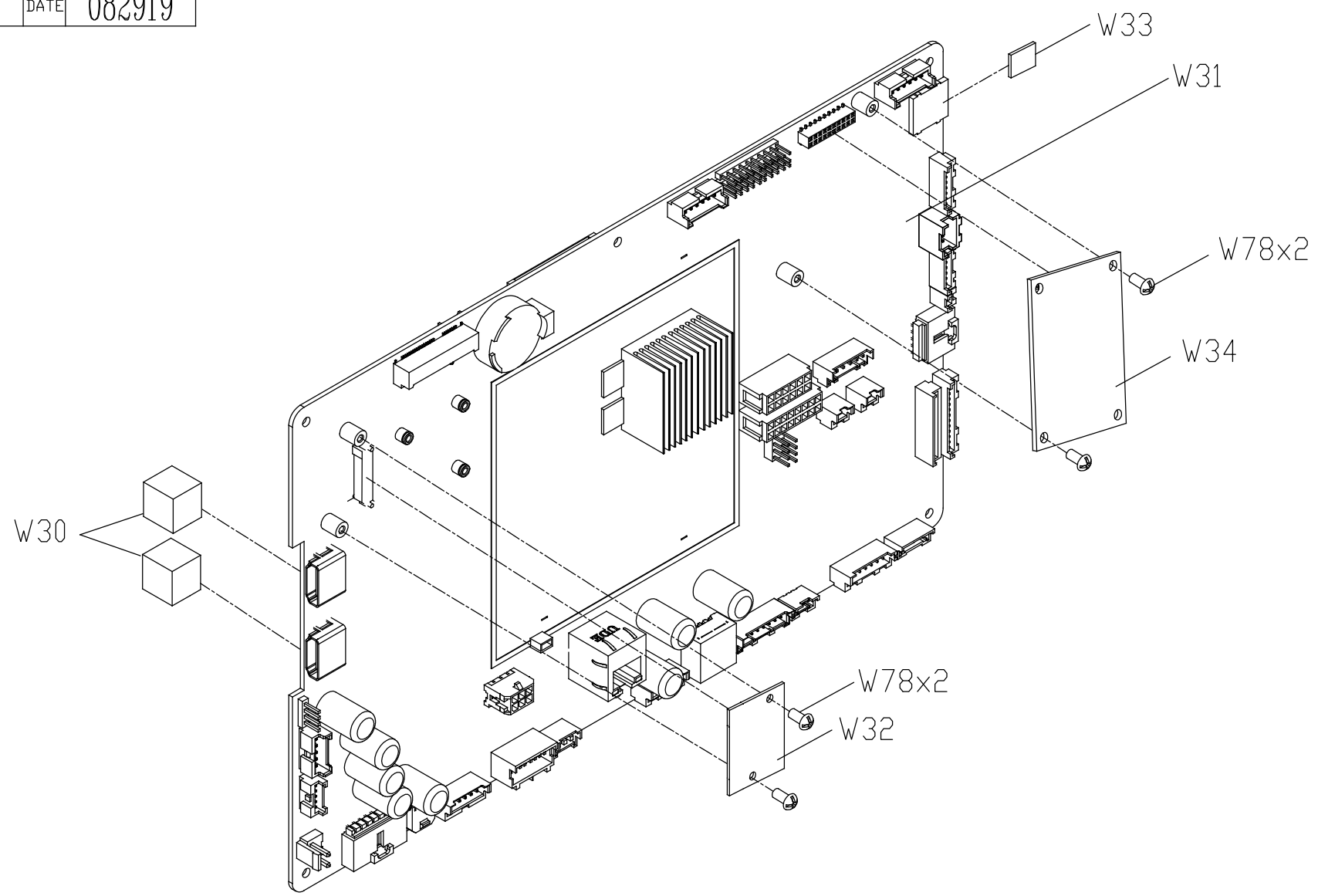
DRAWING NO	TM527-AG11		
PART NAME	Handlebar Set		
PART NO	1000356383  C		
APPROVE	Hsinyen	DATE	030915



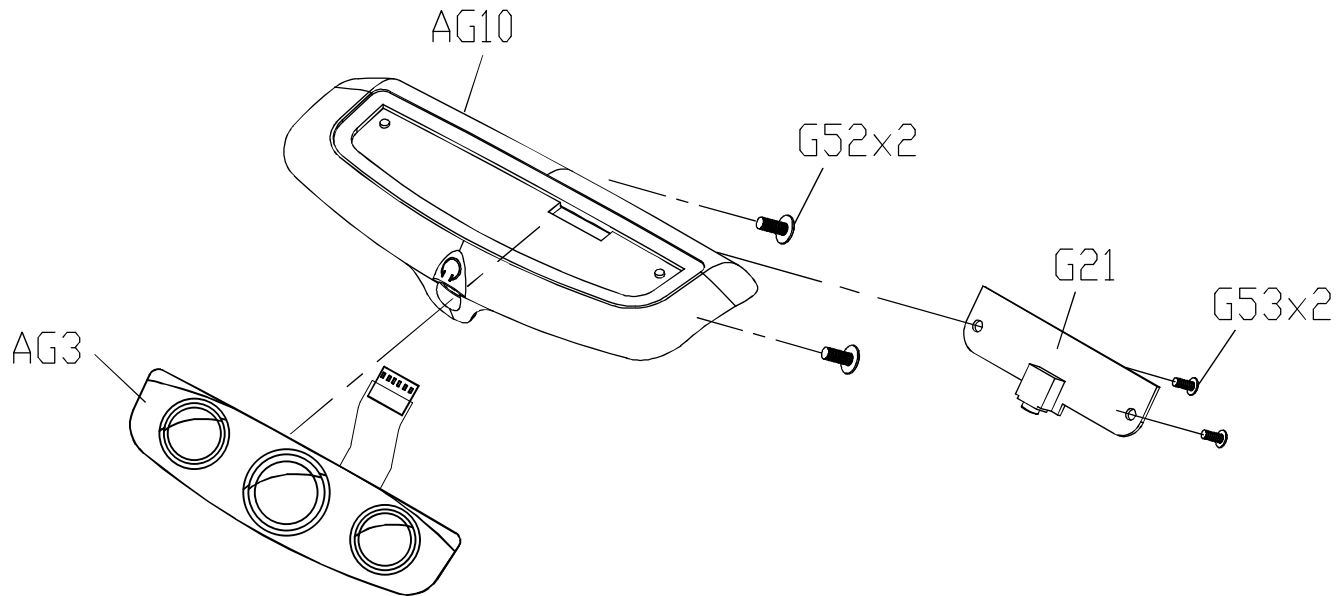
DRAWING NO 圖 號	TM528-AW10	
PART NAME(CH) 零件名稱(中文)	TFT-LCD模組	
PART NAME(EN) 零件名稱(英文)	TFT-LCS SET	
SAP PART NO SAP 料 號	1000356691	REV C



DRAWING NO	TM528B-AW1		
PART NAME	Control Board Set		
PART NO	1000382051	REV	L
APPROVE	SHUYI	DATE	082919



DRAWING NO	TM527-AG22		
PART NAME	Quick Start Overlay Set		
PART NO	As Attachment  D		
APPROVE	Heady	DATE	060116



Part NO	Description
1000385846	ES/MS;English;T-7xe-05-C
1000385847	MS;German;T-7xe-05-C
1000385848	MS;Spanish;T-7xe-05-C
1000385849	MS;Italian;T-7xe-05-C
1000385850	MS;French;T-7xe-05-C
1000385851	MS;Dutch;T-7xe-05-C
1000385852	MS;Polish;T-7xe-05-C
1000385853	MS;Portuguese;T-7xe-05-C
1000385854	MS;Japan;T-7xe-05-C

DRAWING NO	TM527K-AW32		
PART NAME	Gymkit;TM527K		
PART NO	1000421640	REV	C
APPROVE	Allen	DATE	062018

